



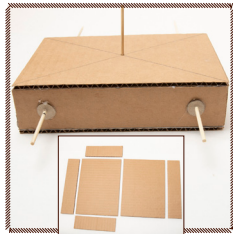
Like the Israelites, sometimes we're under construction while God works within our hearts. Even so, God asked them to build a sanctuary so He could dwell with His people (Exodus 25:8). Will you ask Him to dwell in your heart?

YOU WILL NEED:

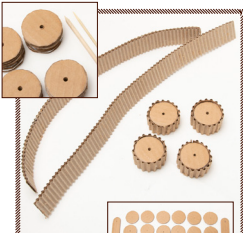
- Corrugated Cardboard
- Poster Board
- Wooden Skewers
- Craft Knife
- 1 Wooden Dowel
- Hot Glue Gun
- Compass
- Cardboard
- Awl
- Metal Ruler
- Cutters
- Pencil
- Scissors



DIRECTIONS:



1. Cut out pieces of cardboard and glue together to make a 5" x 7" x 1½" box. Poke a hole in the middle of the box from the bottom up with an awl. Poke two holes in each side where you want the wheels to go, making sure they are even. Insert the skewers into the holes and secure them with hot glue.



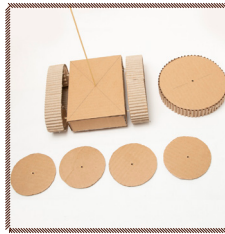
2. Cut out twenty four 1½" circles* from cardboard. Make a hole in the middle of each circle. Make 4 wheels by gluing together 6 circles for each. Prepare corrugated cardboard by removing the layer of paper from one side. Glue a strip of corrugated cardboard around each wheel.



3. Sharpen the end of the dowel with a knife. With the dowel, make the holes in the wheels large enough and put the wheels on the skewers. Cut out two strips of cardboard 1" x 6". Poke holes at the ends and slide them onto the wheel skewers. Cut off the excess from the skewers and secure with glue.



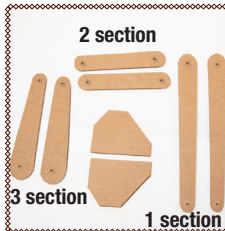
4. Cut out 4 strips of corrugated cardboard 20" x 1½". Glue them together in pairs with the flat sides together. Place them over the wheels and glue the ends together. Trim.



5. Cut out two 6" circles*. Cut out a strip of corrugated cardboard 1" wide. Shape the pieces into a cylinder and glue. Cut out four 4" circles* from cardboard. Pierce all the circles in the middle.



6. On the large cylinder, make a larger hole with the sharp dowel. Slide the small circles onto a skewer, then add the large cylinder. Cut off the skewer about ½" above the top surface.



7. From cardboard cut out three sections* for the boom: 2 strips 7" x 1½", 2 strips 9" x 1", 2 strips 5½" x 1", also 2 pieces for the excavator bucket 3½" x 2½". Poke holes.



8. Cut out piece 8" x 3" of poster board. Glue the bucket together, making it 3" wide. Cut teeth in the edge. Cut out and glue the cabin 2" wide.



9. To assemble the parts of the boom, cut strips of cardboard 1½" wide for the first part, 1¼" wide for the second, and 1" wide for the end. Glue together. Connect all the joints with skewers. Glue strips of cardboard for a bucket mount* and connect with skewer. Trim and glue the ends of the skewers.



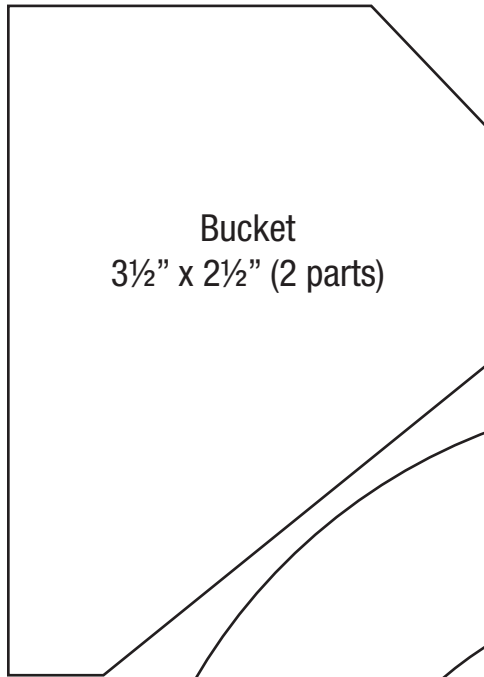
10. From a strip of cardboard 1½" wide, make a mount* (see picture). Insert the first joint into it.



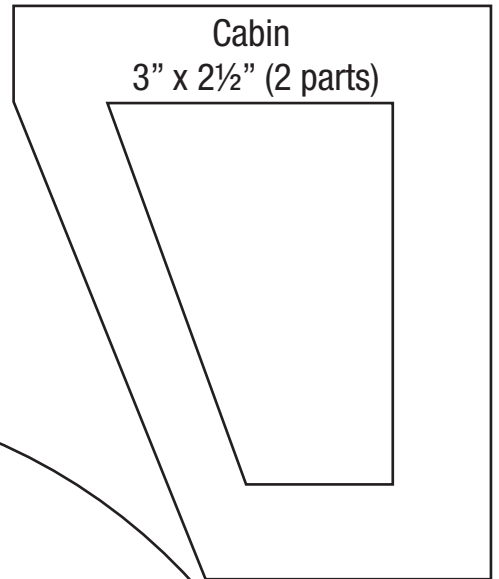
11. Make a skewer hole on the flat part of the mount (see above). Line up the hole with the skewer on the large cylinder. Glue on the base of the boom and the cabin.



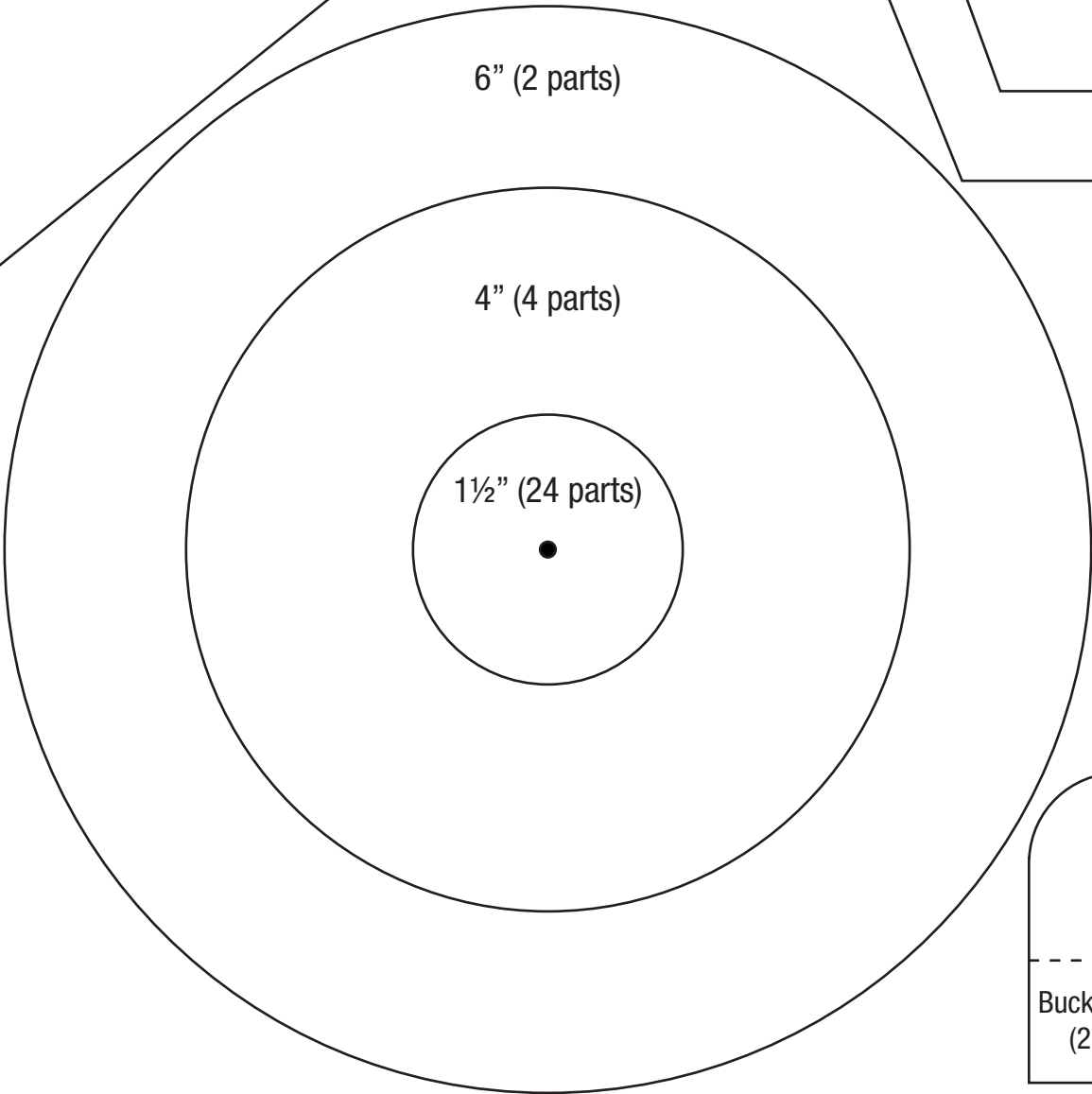
12. The excavator is ready! Your excavator can move forward and backward, rotate 360°, and extend the boom for a long distance.



Bucket
3½" x 2½" (2 parts)



Cabin
3" x 2½" (2 parts)

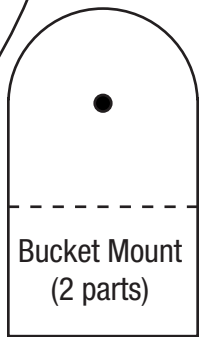


6" (2 parts)

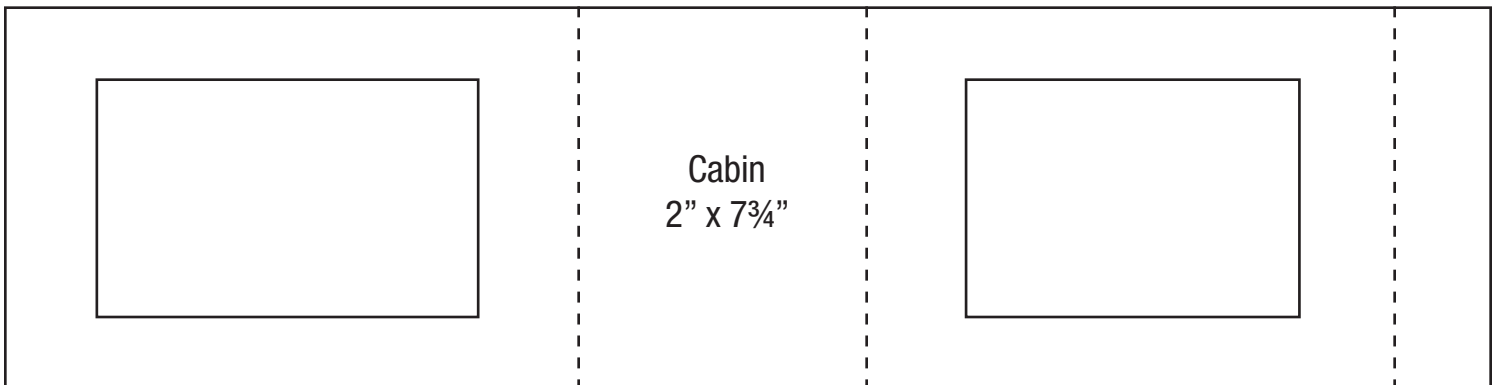
4" (4 parts)

1½" (24 parts)

For Craft "Under Construction"



Bucket Mount
(2 parts)



Cabin
2" x 7¾"

